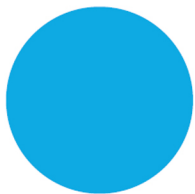




trident

RiX-70, the traditional AC X-Ray generator with compact design and optimal image quality to assure many years of reliable operation.



**Safe and easy to install.**  
**Simple control panel with intuitive graphics.**  
**Perfect results with any image receptor: film, sensor or phosphor plates.**  
**Automatic/Manual exposure settings.**  
**Two versions, the same utility: wall mounted and mobile**

---

# RiX-70AC

Intraoral X-Ray Unit

**Easy to install.  
Much easier to operate.**

**RiX-70 AC** is the simple and easy-to-operate X-Ray dental unit produced by Trident to deliver high image quality. The main features of its compact design are:

Solid arm to reduce any risk of tube head vibration during the image acquisition.

Two lengths extendable arm, 60 and 80 cm.

Friendly control panel with LED buttons and intuitive graphics for a fast operation.

Hand switch with 3 m coiled cord.

RiX-70AC

Instant and sharper images with **0.7 focal spot**

### Exposure parameters adjustment

Manual setting available, to increase or decrease the exposure parameters value according to your needs.

You can modify the preprogrammed exposure parameters to match the specifications of your image receptor: film, intraoral sensor or phosphor plate; the type of tooth: incisor, premolar, molar; or the patient morphology: adult, child.

Two versions, wall mounted and mobile, adaptable to any room space.

## Quality of details

Low dose setting for digital receptors.

Automatic compensation of the mains voltage fluctuations.

Automatic setting of exposure time.

Back up timer.

High heat capacity by combining an electric potential of 70 kVp and an anodic current of 7 mA.

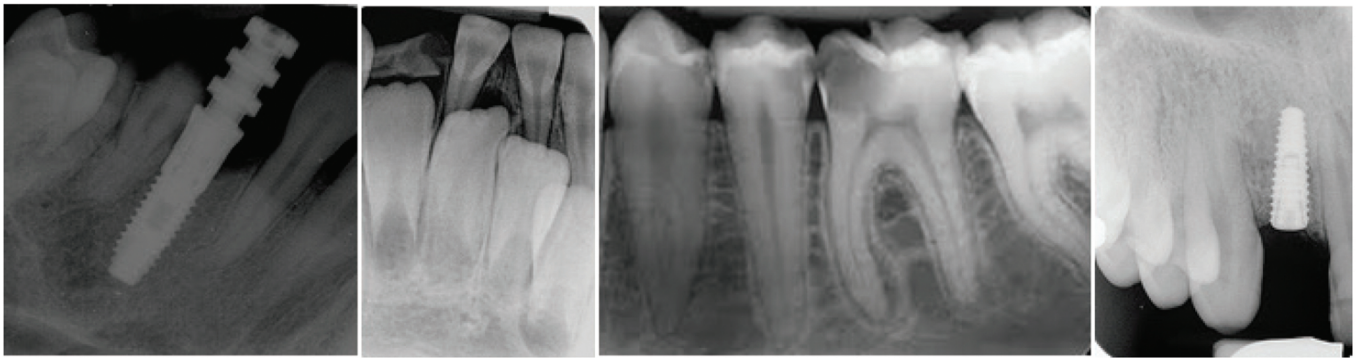
Wide range of exposure times from 60 ms to 2,0 s.





## More precision, higher definition.

RiX-70 AC helps you to get safe diagnostics through detailed images with high contrast range and perfect definition.



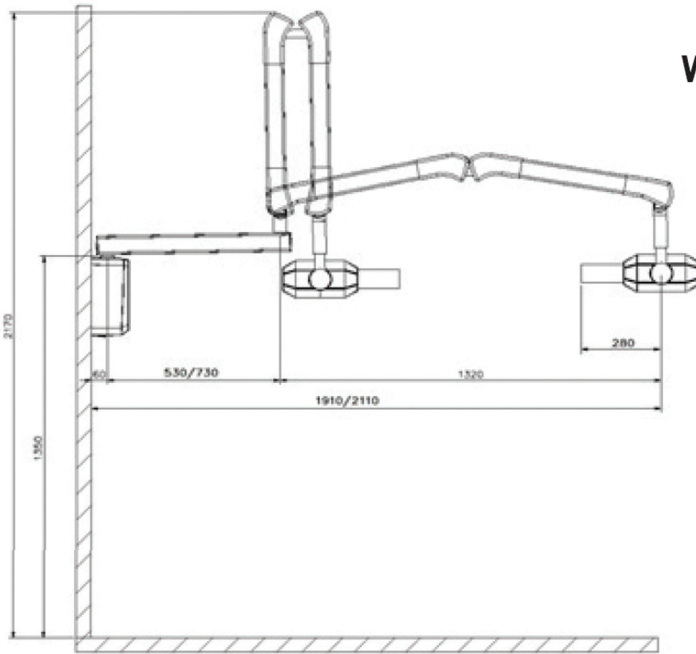
## Outstanding images with any receptor

The RiX-70 AC technical parameters allows you to work using traditional films with chemical processing as well as digital receptors: I-View intraoral sensor or Reader phosphor plate scanner.

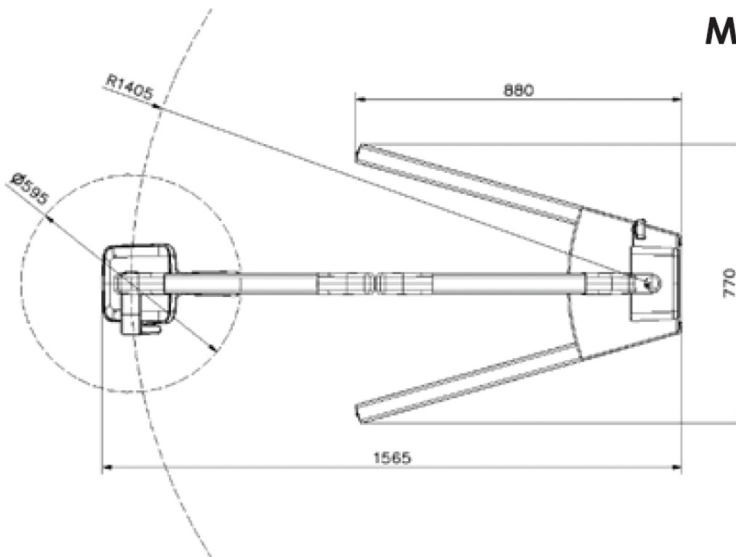


RiX-70AC

## Requirements for Installation



Wall Mounted version



Mobile version

RIX-70AC

## Technical Characteristics

<b>Mains Voltage</b>	115/230 V AC $\pm$ 10%
<b>Frequency</b>	50/60Hz
<b>Electric Current</b>	4/8A
<b>Max Power Consumption</b>	920VA
<b>Fuse</b>	6.34(@230V) and 12 A(@115V)
<b>Focal Spot</b>	0.7 mm
<b>Anodic Current</b>	7 mA $\pm$ 15% V
<b>Tube Voltage</b>	70 kV
<b>Duty Cycle</b>	1/60
<b>Total Filtration</b>	>2.1mm Al
<b>Inherent Filtration</b>	>0.5 mm Al eq.
<b>Focus Skin Distance</b>	22 cm (8 5/8 inch)
<b>Output Radiation Field</b>	Round 6 cm (2 3/8 inch)
<b>Weight</b>	32,2 Kg wall mounted 52 Kg mobile

## MEDICON SERVICES

416/1 Ground Floor, Mokki Mosjid  
Road, West Rampura, Dhaka-1219,  
P: +880255128410  
M: +880171182326  
mediconservices416@gmail.com  
www.mediconservices.com

