

EXS-40R

Innovative Digital Radiography System



CE 0123

ISO9001 ISO13485



EXS-40R

High Performance and Reliability

The newly designed EXS-40R diagnostic X-ray system provides an analogue radiographic room that perfectly fits your workflow and budget, which can be easily upgraded to DR system with the help of DR interface and PC interface in the generator as well as Bucky suitable to Flat Panel Detector.

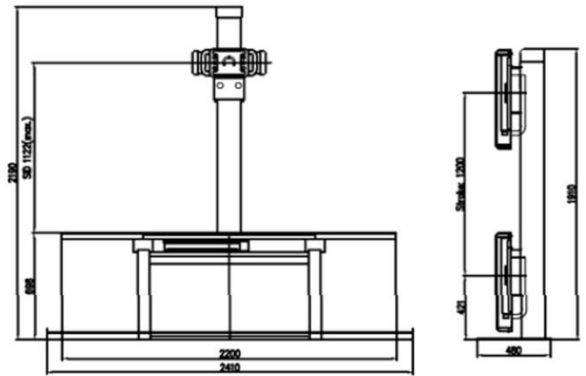
EXS-40R X-ray system is designed for operator and patient comfort with the moving components specially designed to reduce electromechanical lock noise.

Experience the quality, durable and user-friendly operation for all applications with the EXS-40R X-ray system.

Innovative Digital Radiography System

Specification

| Model Name | EXS-40R |
|---------------------------------|--|
| System Power Requirement | |
| Line Voltage | 230V, 50/60Hz |
| Line Phase | 1P (Single-Phase) |
| X-ray Tube | |
| kVp Range | 40 ~ 125kV |
| Focal Spot Size | 1.0/2.0mm |
| Maximum mA Rating | 500mA |
| Target Angle | 16° |
| Anode Heat Storage Capacity | 140kHU |
| Anode Rotating Speed | 2700rpm@50Hz 3200rpm@60Hz |
| Target Construction | Rhenium-Tungsten |
| Permanent Filtration | 0.9mm Al@75kV |
| X-ray Generator | |
| Power Rating | 40kW |
| Line Nominal, Phase | 230V, 1P, 50/60Hz |
| Method | High Frequency Inverter |
| kV Range | 40 ~ 125kV, 1kV step |
| mA Range | 10 ~ 500mA, 18 steps |
| Timer Range | 1m ~ 10s, 36 steps |
| mAs Range | 0.1 ~ 500mAs |
| Maximum Power Output | 500mA@80kV 400mA@100kV 320mA@125kV |
| Rotor Supply | Low Speed Starter (LSS) |
| Anatomical Programs | Max. 2000 programable |
| Technique Selection | 4-point & 2-point control |
| Image Receptors | 2 Buckys + 1 Non-Bucky |
| Collimator | |
| Method | Manual Adjustment |
| Maximum X-ray Tube Voltage | 150kVp |
| Maximum X-ray Light Field | 48X48cm@SID100cm |
| Lamp Timer | Push-button/30s Timer |
| Projection Lamp | LED 24V, 1A |
| Dimension | 225W x 240D x 185H |
| Inherent Protection | 1.2mm AL Eq. |
| Weight | 5kg |
| Patient Table | |
| Type | 4-way Float-Top |
| Dimension | 2200W x 820D x 720H |
| Longitudinal Travel | ±450mm |
| Transverse Travel | ±150mm |
| Weight | 130kg |
| Tube Stand | |
| Column Height | 2190mm |
| Vertical Travel | 1300mm |
| Transverse Travel | 300mm |
| Longitudinal Travel | 1700mm |
| Longitudinal Rail Length | 2400mm |
| Column Rotation | over ±90° |
| Tube Rotation | ±180° |
| System Weight | 210kg |
| Wall Bucky Stand | |
| Column Height | 1910mm |
| Vertical Travel | 1200mm |
| System Weight | 80kg |



Other Component



Compatible bucky stand



OP console

 **MEDICON SERVICES**

416/1 Ground Floor, Mokki Masjid Road,
West Rampura, Dhaka-1219.

Phone: +8802-55128410
Mobile: +8801711823264.

mediconservices416@gmail.com
www.mediconservices.com