

# Electrocardiograph

# CARDIPIA800H



Wi-Fi



Bluetooth



LAN



USB / RS232



FTP



PACS/HL7



SD Card



Touch Screen



USB Memory



External Printer



Android Mobile App



## FEATURES

- 12/6/3-ch record and display
- ECG measurement and interpretation for pediatrics / adults
- 7" color LCD with touch screen
- HIS Standard format : DICOM, HL7, XML, SCP, PDF, PNG, JPG
- Connectivity with PACS Server / TRISMED PCNet
- Data transfer interface : USB, Ethernet LAN, Bluetooth, Wi-Fi
- Transfer real-time ECG signal to PC via LAN / Wi-Fi
- Connection to external Printer, Barcode or Magnetic Card Reader
- Data memory : Internal (4,000 records), optional SD or USB memory
- Stress ECG System interface (Option)
- Spirometry (Option)
- Remote Control via Android Mobile Application
- Easy S/W update by Remote Internet / USB Memory Stick

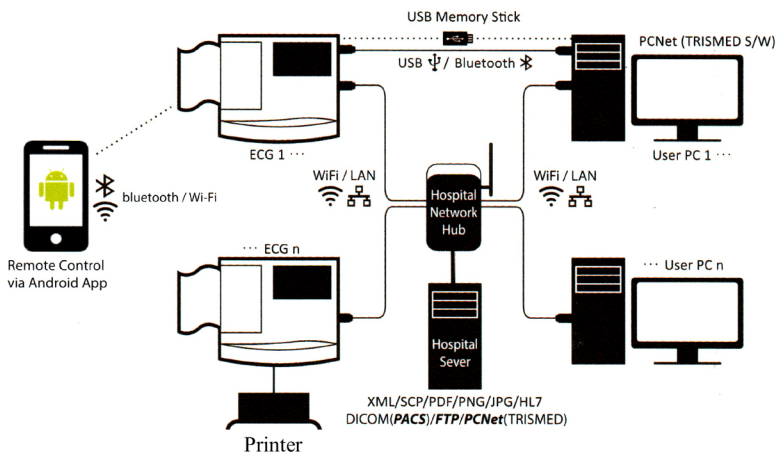


Spirometry Connection (Option)



Optional Keyboard (800MEMR4)

## CARDIPIA ECG NETWORK



- Full Disclosure record : up to 10min
- QRS, Arrhythmias and Pacemaker detection
- 216/210 mm roll or optional Z-folder paper
- Membrane and touch alphanumeric PC keypad
- Alarms detection : HR, paper empty, lead off, low battery
- Multi-language support : English/Spanish/French Russian/Turkish/Mongolian/user request
- Complied with latest safety requirement



**MEDICON SERVICES**  
*Destination to Medical Solution*

416/1, Ground Floor, Mokki Masjid Road, West Rampura, Dhaha-1219  
Mobile: 01711823264 Email: mediconservices416@gmail.com  
Phone: +88 02-55128410 cmohsinkamal@yahoo.com

[www.mediconservices.com](http://www.mediconservices.com)



Origine: Republic of Korea

